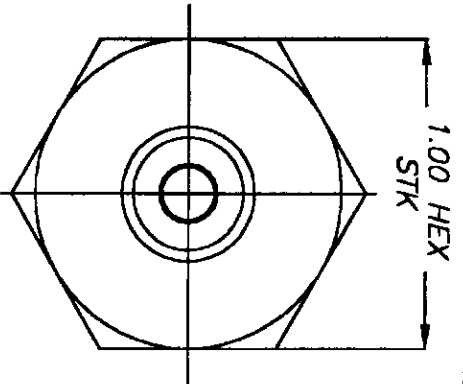
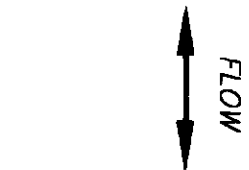
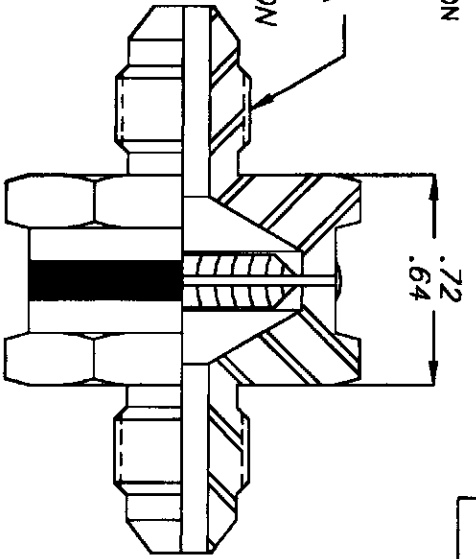


THIS DOCUMENT CONTAINS INFORMATION PROPRIETARY TO GENESIS FILTRATION CORPORATION. ANY REPRODUCTION, DISCLOSURE, OR USE OF THIS DOCUMENT IN WHOLE OR IN PART IS EXPRESSLY PROHIBITED EXCEPT AS GENESIS FILTRATION CORPORATION MAY OTHERWISE AGREE TO IN WRITING.

FITTING END
PER MS33656 - Δ
SEE TABLE - Δ
BOTH ENDS COMMON



8. PRESSURE DATA:
OPERATING: 6000 PSIG
PROOF: 9000 PSIG
BURST: 13,500 PSIG

7. ELEMENT COLLAPSE PRESSURE: 50 PSID MIN
6. MATERIALS: AISI TYPE 300 SER. CRES.
5. EFFECTIVE FILTER AREA: 3.3 SQ. IN MIN.
4. CONSTRUCTION: TIG WELDED
3. FILTER MEDIA: STAINLESS STEEL WOVEN WIRE MESH.
- Δ SECOND DASH NUMBER SPECIFIES NOM. MICRON RATING.
- Δ FIRST DASH NUMBER SPECIFIES FITTING END SIZES COMMON FOR BOTH SIDES

Δ	TUBE NO	TUBE O.D
-4	1/4	
-5	5/16	
-6	3/8	
-8	1/2	

Δ	NOM MIC RATING
-2	2
-5	5
-10	10
-20	20
-40	40
-70	70
-105	105

ADDITIONAL SIZES AND OPTIONS AVAILABLE.

UNLESS OTHERWISE SPECIFIED		DO NOT SCALE THIS DWG. INTERPRET DWG PER IAW DOD-STD-1000 DIMS & TOLS. PER ANSI Y14.5		DFT BY:	
DIMENSIONS IN INCHES REMOVE ALL BURRS		SURFACE ROUGHNESS PER ANSI B46.1 100 \sqrt		DESIGN BY:	
MACHINE RADI .005/.015 R.		MATERIAL NOTED		APPVD BY:	
BREAK ALL SHARP EDGES .002/.010 R.		FINISH		CUSTOMER NAME	
DECIMALS .XX .XXX		ANGLES $\pm 1^\circ$		CUSTOMER P/N	
$\pm .01$ $\pm .005$ $\pm 1/64$					

Genesis Filtration Inc.			
9757 7th STREET, UNIT 804			
Rancho Cucamonga, CA 91730			
TITLE		SCALE	
FILTER ASSY: MINILINE 37 \circ FITTING ENDS		A	
FSCM NO.	DWG NO.	REV	
04AX3	10000-	Δ - Δ	
WEIGHT	SHEET	OF	

REVISIONS

LTR	DESCRIPTION	DATE	APPROVED