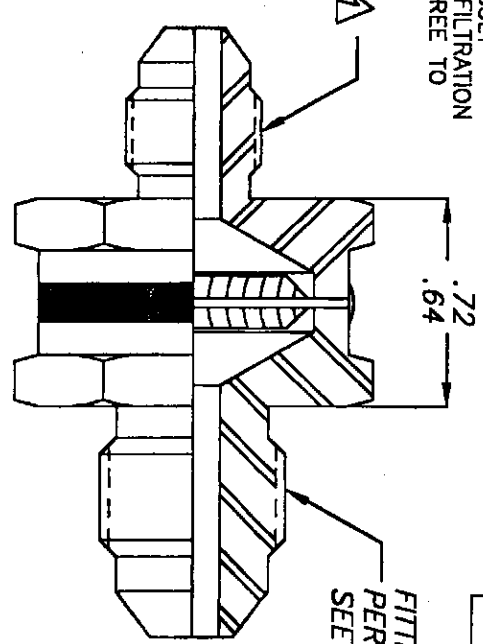
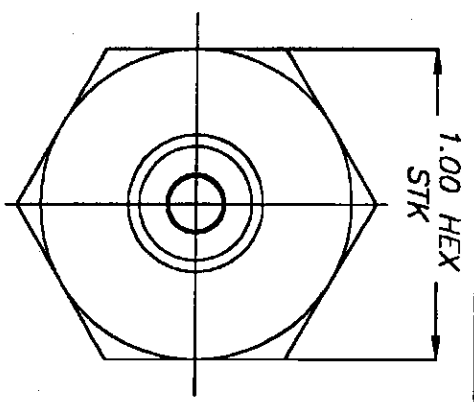


THIS DOCUMENT CONTAINS INFORMATION PROPRIETARY TO GENESIS FILTRATION CORPORATION. ANY REPRODUCTION, DISCLOSURE, OR USE OF THIS DOCUMENT IN WHOLE OR IN PART IS EXPRESSLY PROHIBITED EXCEPT AS GENESIS FILTRATION CORPORATION MAY OTHERWISE AGREE TO IN WRITING.

FITTING END PER MS33656 - SEE TABLE -



FITTING END PER MS33656 - SEE TABLE -



REVISIONS			
LTR	DESCRIPTION	DATE	APPROVED

9. PRESSURE DATA:
OPERATING: 6000 PSIG
PROOF: 9000 PSIG
BURST: 13,500 PSIG
8. ELEMENT COLLAPSE PRESSURE: 50 PSID MIN
7. MATERIALS: AISI TYPE 300 SER. CRES.
6. EFFECTIVE FILTER AREA: 3.3 SQ. IN MIN.
5. CONSTRUCTION: TIG WELDED
4. FILTER MEDIA: STAINLESS STEEL WOVEN WIRE MESH.
3. SECOND DASH NUMBER SPECIFIES NOM. MICRON RATING.
2. SECOND DASH NUMBER SPECIFIES FITTING END SIZE.
1. FIRST DASH NUMBER SPECIFIES FITTING END SIZE.

- 1	- 2	- 3
TUBE NO	TUBE NO	TUBE NO
4	4	4
5	5	5
6	6	6
8	8	8

- 1	- 2	- 3
TUBE O.D.	TUBE O.D.	TUBE O.D.
1/4	1/4	1/4
5/16	5/16	5/16
3/8	3/8	3/8
1/2	1/2	1/2

- 1	- 2	- 3
NOM MIC RATING	NOM MIC RATING	NOM MIC RATING
2	5	10
20	40	70
105		

ADDITIONAL SIZES AND OPTIONS AVAILABLE.

UNLESS OTHERWISE SPECIFIED

DIMENSIONS IN INCHES REMOVE ALL BURRS

MACHINE RADII .005/.015 R. BREAK ALL SHARP EDGES .002/.010 R.

DECIMALS .XX .XXX
FRACTIONAL ANGLES ± °

± .01 ± .005 ± 1/64 ± °

DO NOT SCALE THIS DWG. INTERPRET DWG PER IAW DOD-STD-1000 DIMS & TOLS. PER ANSI Y14.5

SURFACE ROUGHNESS PER ANSI B46.1 100 ✓

MATERIAL NOTED

FINISH

DFT BY:
DESIGN BY:
APPVD BY:

CUSTOMER NAME

CUSTOMER P/N

Genesis Filtration Inc.
9757 7th STREET, UNIT 804
Rancho Cucamonga, CA 91730

TITLE
FILTER ASSY: MINILINE
37⁰ FITTING ENDS

SIZE FSCM NO. DWG NO. REV
A 04AX3 10100-1-2-3

SCALE SHEET OF

GENESIS 12/24/98

WEIGHT

SHEET OF