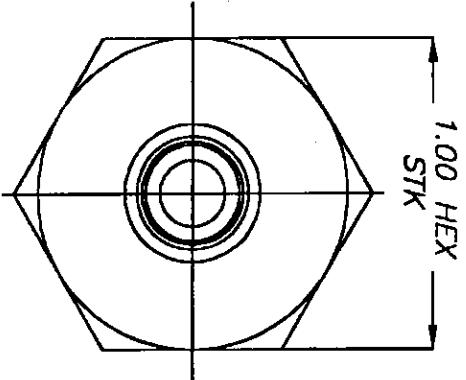
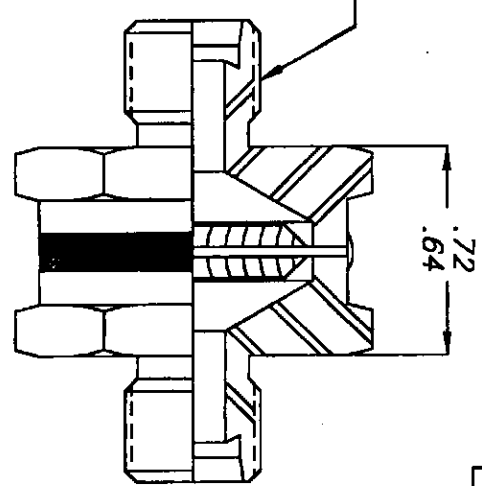


THIS DOCUMENT CONTAINS INFORMATION PROPRIETARY TO GENESIS FILTRATION CORPORATION. ANY REPRODUCTION, DISCLOSURE, OR USE OF THIS DOCUMENT IN WHOLE OR IN PART IS EXPRESSLY PROHIBITED EXCEPT AS GENESIS FILTRATION CORPORATION MAY OTHERWISE AGREE TO IN WRITING.

FITTING END PER MS33514 - SEE TABLE - BOTH ENDS COMMON



8. PRESSURE DATA:  
 OPERATING: 6000 PSIG  
 PROOF: 9000 PSIG  
 BURST: 13,500 PSIG
7. ELEMENT COLLAPSE PRESSURE: 50 PSID MIN
6. MATERIALS: AISI TYPE 300 SER. CRES.
5. EFFECTIVE FILTER AREA: 3.3 SQ. IN MIN.
4. CONSTRUCTION: TIG WELDED
3. FILTER MEDIA: STAINLESS STEEL WOVEN WIRE MESH.
- △ SECOND DASH NUMBER SPECIFIES NOM. MICRON RATING.  
 △ FIRST DASH NUMBER SPECIFIES FITTING END SIZES  
 COMMON FOR BOTH SIDES

△ TUBE NO	TUBE O.D
-4	1/4
-5	5/16
-6	3/8
-8	1/2

ADDITIONAL SIZES AND OPTIONS AVAILABLE.

△ NOM MIC RATING
-2
-5
-10
-20
-40
-70
-105

UNLESS OTHERWISE SPECIFIED		DO NOT SCALE THIS DWG. INTERPRET DWG PER IAW DOD-STD-1000 DIMS & TOLS. PER ANSI Y14.5		DFT BY:	
DIMENSIONS IN INCHES REMOVE ALL BURRS		SURFACE ROUGHNESS PER ANSI B46.1		DESIGN BY:	
MACHINE RADI .005/.015 R.		100 ✓		APPVD BY:	
BREAK ALL SHARP EDGES .002/.010 R.		MATERIAL NOTED		CUSTOMER NAME	
DECIMALS .XX .XXX		ANGLES ± °		CUSTOMER P/N	
FRACTION ± 1/64		FINISH		TITLE	
SCALE		GENESIS 14/24/98		<p><i>Genesis Filtration Inc.</i>          9757 7th STREET, UNIT 804          Rancho Cucamonga, CA 91730</p>	
SIZE A		FSCM NO. 04AX3		DWG NO. 10200-	
SCALE		WEIGHT		SHEET OF	
REV		1		2	

REVISIONS			
LTR	DESCRIPTION	DATE	APPROVED