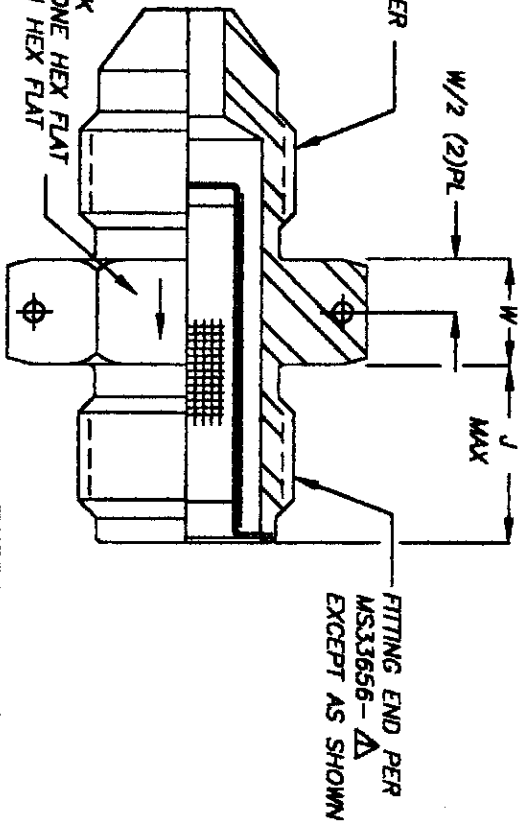
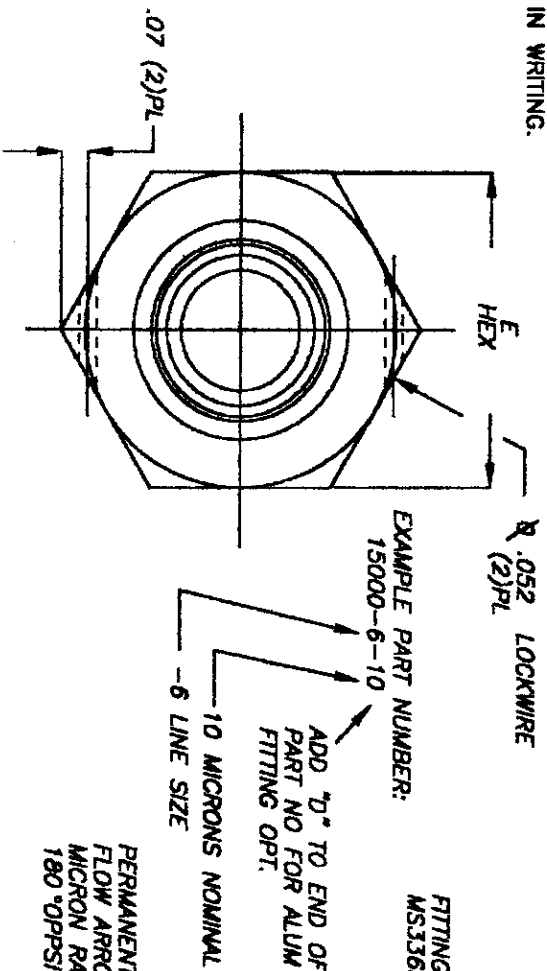


THIS DOCUMENT CONTAINS INFORMATION PROPRIETARY TO GENESIS FILTRATION CORPORATION. ANY REPRODUCTION, DISCLOSURE, OR USE OF THIS DOCUMENT IN WHOLE OR IN PART IS EXPRESSLY PROHIBITED EXCEPT AS GENESIS FILTRATION CORPORATION MAY OTHERWISE AGREE TO IN WRITING.

REVISIONS			
LTR	DESCRIPTION	DATE	APPROVED



- CONSTRUCTION: FILTER ELEMENT IS RESISTANCE WELDED AND SPIN SWAGED INTO HOUSING
- MATERIALS: FILTER ELEMENT: AISI T 300 SER. CRES. FITTING: AISI T 300 SER. CRES. AVAILABLE IN ALUM ALLOY, ANODIZED.
- FILTER MEDIA: STAINLESS STEEL WOVEN WIRE MESH.
- SECOND DASH NUMBER SPECIFIES NOM MICRON RATING.
- FIRST DASH NO SPECIFIES TUBE SIZE

- Δ DASH NO	TUBE SIZE	J MAX	E HEX	EFFECTIVE FILTER AREA SQ IN MIN	ELEMENT COLLAPSE PRESSURE PSID MIN
- 4	1/4	.565	.688	.530	900
- 5	5/16	.565	.750	.650	900
- 6	3/8	.571	.813	.800	500
- 8	1/2	.672	1.000	1.300	250

ADDITIONAL SIZES AND OPTIONS AVAILABLE

- Δ DASH NO	NOM MICRON RATING
- 2	2
- 5	5
- 10	10
- 20	20
- 40	40
- 70	70
- 105	105

UNLESS OTHERWISE SPECIFIED		DO NOT SCALE THIS DWG. INTERPRET DWG PER IAW DOD-STD-1000 DIMS & TOLS. PER ANSI Y14.5	
DIMENSIONS IN INCHES REMOVE ALL BURRS		SURFACE ROUGHNESS PER ANSI B46.1 125 ✓	
MACHINE RADII .005/.015 R. BREAK ALL SHARP EDGES .002/.010 R.		MATERIAL NOTED	
DECIMALS XX .XXX	FRAC	ANGLES	FINISH
±	±	±	±
DFT BY:		CUSTOMER P/N	
DESIGN BY:		CUSTOMER NAME	
APPVD BY:		TITLE	
<p><i>Genesis Filtration Inc.</i> 9757 7th STREET, UNIT 804 Rancho Cucamonga, CA 91730</p> <p>37° FLARE FILTER ASSY</p>			
SIZE A	FSCM NO. 04AX3	DWG NO. 15000-Δ-Δ	REV
SCALE	WEIGHT	SHEET	OF