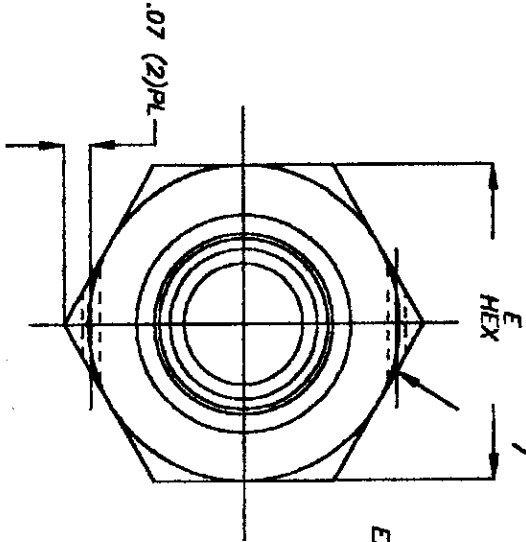


THIS DOCUMENT CONTAINS INFORMATION PROPRIETARY TO GENESIS FILTRATION CORPORATION. ANY REPRODUCTION, DISCLOSURE, OR USE OF THIS DOCUMENT IN WHOLE OR IN PART IS EXPRESSLY PROHIBITED EXCEPT AS GENESIS FILTRATION CORPORATION MAY OTHERWISE AGREE TO IN WRITING.

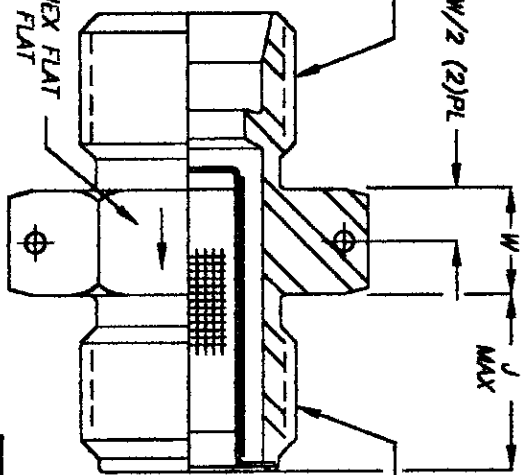
R.052 LOCKWIRE (2)PL



EXAMPLE PART NO:
16000-6-10

ADD "D" TO END OF PART NO FOR ALUM FITTING OPT.
-10 MICRONS NOMINAL
-6 LINE SIZE

PERMANENTLY MARK FLOW ARROW ON ONE HEX FLAT MICRON RATING ON HEX FLAT 180° OPPOSITE



FITTING END PER MS33514-Δ EXCEPT AS SHOWN

5. CONSTRUCTION: FILTER ELEMENT IS RESISTANCE WELDED AND SPIN SWAGED INTO HOUSING
 4. MATERIALS: FILTER ELEMENT: AISI T 300 SER. CRES. FITTING: AISI T 300 SER. CRES. AVAILABLE IN ALUM ALLOY, ANODIZED.
 3. FILTER MEDIA: STAINLESS STEEL WOVEN WIRE MESH.
- Δ SECOND DASH NUMBER SPECIFIES NOM MICRON RATING.
Δ FIRST DASH NO SPECIFIES TUBE SIZE

Δ DASH NO	TUBE SIZE	J MAX	E HEX	EFFECTIVE FILTER AREA SQ IN MIN	ELEMENT COLLAPSE PRESSURE PSID MIN
- 4	1/4	.463	.688	.400	900
- 5	5/16	.463	.750	.450	900
- 6	3/8	.479	.813	.480	500
- 8	1/2	.572	1.000	.750	250

ADDITIONAL SIZES AND OPTIONS AVAILABLE

Δ DASH NO	NOM MICRON RATING
- 2	2
- 5	5
- 10	10
- 20	20
- 40	40
- 70	70
- 105	105

UNLESS OTHERWISE SPECIFIED

DIMENSIONS IN INCHES REMOVE ALL BURRS

MACHINE RADII .005/.015 R.

BREAK ALL SHARP EDGES .002/.010 R.

DECIMALS XX XXX

FRAC ANGLES FINISH

DO NOT SCALE THIS DWG. INTERPRET DWG PER IAW DOD-STD-1000 DIMS & TOLS. PER ANSI Y14.5

SURFACE ROUGHNESS PER ANSI B46.1 125 √

MATERIAL NOTED

FINISH

DFT BY:

DESIGN BY:

APPVD BY:

CUSTOMER NAME

CUSTOMER P/N

REVISIONS

LTR	DESCRIPTION	DATE	APPROVED

Genesis Filtration Inc.
9757 7th STREET, UNIT 804
Rancho Cucamonga, CA 91730

TITLE
FILTER UNION: FLARELESS TUBE

SIZE FSCM NO. DWG NO.

A 04AX3 16000-Δ-Δ

SCALE

WEIGHT

SHEET OF

REV