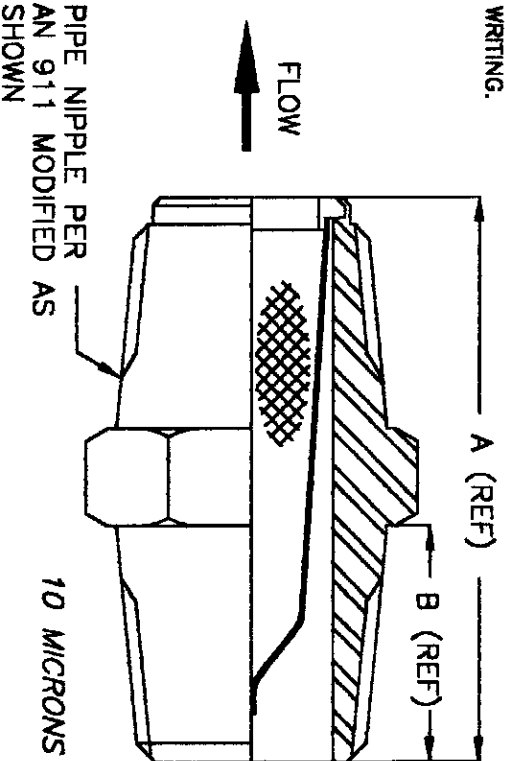
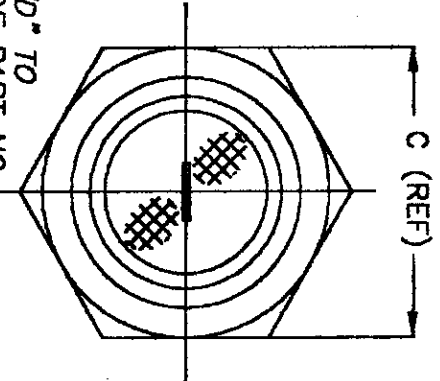


THIS DOCUMENT CONTAINS INFORMATION PROPRIETARY TO GENESIS FILTRATION CORPORATION. ANY REPRODUCTION, DISCLOSURE, OR USE OF THIS DOCUMENT IN WHOLE OR IN PART IS EXPRESSLY PROHIBITED EXCEPT AS GENESIS FILTRATION CORPORATION MAY OTHERWISE AGREE TO IN WRITING.



EXAMPLE PART NO.
30467-6-10
-6 SIZE
ADD "D" TO END OF PART NO FOR ALUM FITTING OPT.



Filter Element	NOM MIC RATING
-2	2
-5	5
-10	10
-20	20
-40	40
-70	70
-105	105

- CONSTRUCTION: FILTER ELEMENT IS RESISTANCE WELED AND SPIN SWAGED INTO FITTING.
- MATERIALS:
FILTER ELEMENT: 300 SER. CRES.
HOUSING: AVAILABLE IN STAINLESS STEEL OR ALUM ALLOY, ANODIZED.
- FILTER MEDIA: STAINLESS STEEL WOVEN WIRE MESH.
- SECOND DASH NUMBER SPECIFIES NOMINAL MICRON RATING.
- FIRST DASH NUMBER SPECIFIES SIZE.

ADDITIONAL SIZES AND OPTIONS AVAILABLE.

Filter Element	THD NPT SIZE	A (REF)	B (REF)	C (REF)
-3	3/8	1 15/32	19/32	.750
-4	1/2	1 27/32	49/64	.938
-6	3/4	1 29/32	25/32	1.125
-8	1	2 5/16	31/32	1.375
-10	1 1/4	2 11/32	63/64	1.750

Genesis Filtration Inc.
9757 7th STREET, UNIT 804
Rancho Cucamonga, CA 91730

PIPE FITTING ASSY

UNLESS OTHERWISE SPECIFIED		DO NOT SCALE THIS DWG. INTERPRET DWG PER IAW DOD-STD-1000 DIMS & TOLS. PER ANSI Y14.5		DFT BY:	
DIMENSIONS IN INCHES REMOVE ALL BURRS		SURFACE ROUGHNESS PER ANSI B46.1 100 ✓		DESIGN BY:	
MACHINE RADII .005/.015 R.		CUSTOMER NAME		APPVD BY:	
BREAK ALL SHARP EDGES .002/.010 R.		CUSTOMER P/N			
DECIMALS .XX .XXX	FRACTION ±1/64	ANGLES ±1°	FINISH		
±.01	±.005	±1/64	±1°		
TITLE		SCALE			
PIPE FITTING ASSY		FSCM NO. DWG NO. 30467- A ^B			
REV		WEIGHT SHEET OF			

REVISIONS		
LTR	DESCRIPTION	DATE

DATE	APPROVED