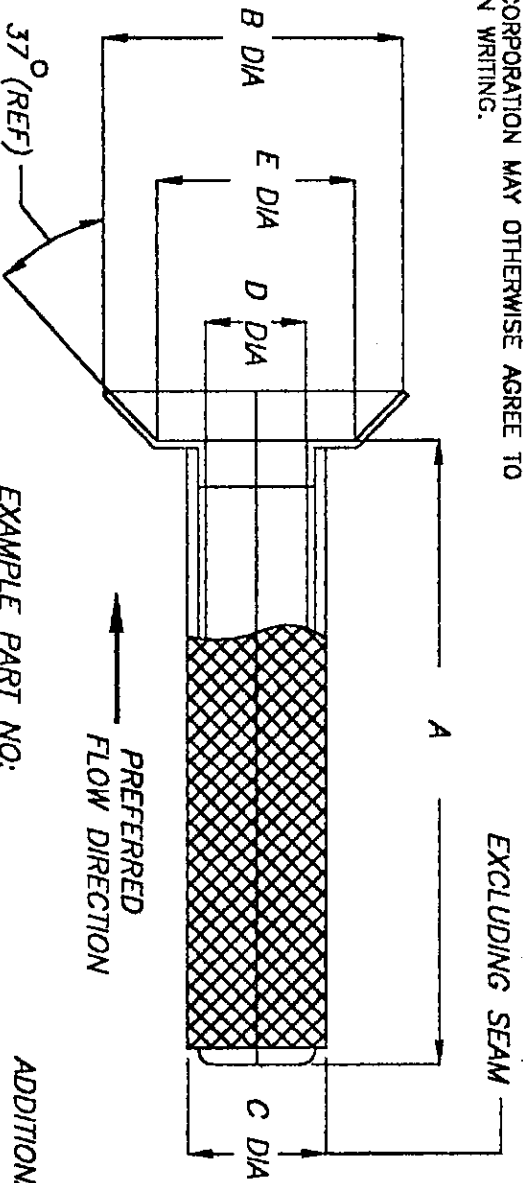


THIS DOCUMENT CONTAINS INFORMATION PROPRIETARY TO GENESIS FILTRATION CORPORATION. ANY REPRODUCTION, DISCLOSURE, OR USE OF THIS DOCUMENT IN WHOLE OR IN PART IS EXPRESSLY PROHIBITED EXCEPT AS GENESIS FILTRATION CORPORATION MAY OTHERWISE AGREE TO IN WRITING.



EXAMPLE PART NO:  
17000-8-10  
-8 LINE SIZE  
10 MICRONS NOMINAL

- CONSTRUCTION: RESISTANCE WELEDED.
- MATERIALS: AISI T 300 SER. CRES.
- SECOND DASH NUMBER SPECIFIES NOMINAL MICRON RATING.
- FIRST DASH NUMBER SPECIFIES TUBE SIZE.

| REVISIONS |             | DATE | APPROVED |
|-----------|-------------|------|----------|
| LTR       | DESCRIPTION |      |          |

| WHEN FILTERING LIQUIDS | WHEN FILTERING GASES |            |
|------------------------|----------------------|------------|
|                        | NOM RATING           | ABS RATING |
| 2                      | 15                   | 9          |
| 5                      | 20                   | 13         |
| 10                     | 25                   | 18         |
| 20                     | 40                   | 25         |
| 40                     | 75                   | 55         |
| 70                     | 105                  | 85         |
| 105                    | 150                  | 130        |

ADDITIONAL SIZES AND CONFIGURATIONS AVAILABLE.

| Δ   | A REF | B MAX | C REF | D REF | E REF | FILTER AREA REF | COLLAPSE PRESSURE PSID MIN |
|-----|-------|-------|-------|-------|-------|-----------------|----------------------------|
| -4  | 1.05  | .359  | .16   | .14   | .20   | .48             | 1000                       |
| -5  | 2.00  | .421  | .19   | .15   | .26   | 1.10            | 875                        |
| -6  | 2.00  | .476  | .23   | .19   | .33   | 1.35            | 750                        |
| -8  | 2.00  | .654  | .33   | .29   | .43   | 2.00            | 500                        |
| -10 | 2.00  | .767  | .39   | .35   | .55   | 2.40            | 200                        |
| -12 | 2.00  | .940  | .47   | .43   | .68   | 2.75            | 150                        |

UNLESS OTHERWISE SPECIFIED

DIMENSIONS IN INCHES REMOVE ALL BURRS

MACHINE RADII .005/.015 R.

BREAK ALL SHARP EDGES .002/.010 R.

DECIMALS .XX .XXX

FRACTION ANGLES FINISH

DO NOT SCALE THIS DWG. INTERPRET DWG PER IAW DOD-STD-1000 DIMS & TOLS. PER ANSI Y14.5

SURFACE ROUGHNESS PER ANSI B46.1

MATERIAL NOTED

FINISH

DFT BY:

DESIGN BY:

APPVD BY:

CUSTOMER NAME

CUSTOMER P/N

**Genesis Filtration Inc.**  
9757 7th STREET, UNIT 804  
Rancho Cucamonga, CA 91730

TITLE  
**37° TUBE FITTING**

SIZE FSCM NO. DWG NO.

A 04AX3 17000

SCALE WEIGHT SHEET OF

REV