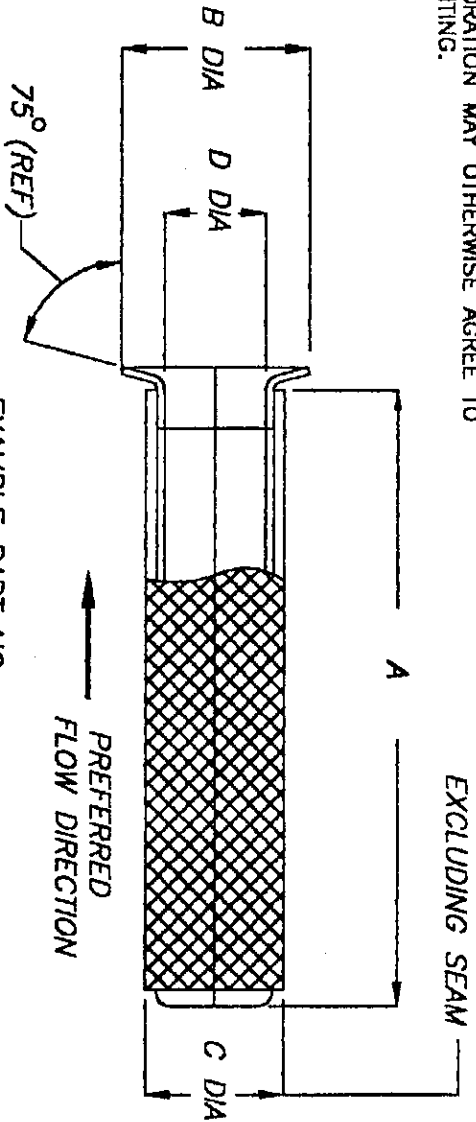


THIS DOCUMENT CONTAINS INFORMATION PROPRIETARY TO GENESIS FILTRATION CORPORATION. ANY REPRODUCTION, DISCLOSURE, OR USE OF THIS DOCUMENT IN WHOLE OR IN PART IS EXPRESSLY PROHIBITED EXCEPT AS GENESIS FILTRATION CORPORATION MAY OTHERWISE AGREE TO IN WRITING.



EXAMPLE PART NO:
17500-8-10

-8 LINE SIZE L10 MICRONS NOMINAL

- CONSTRUCTION: RESISTANCE WELEDED.
- MATERIALS: AISI T 300 SER. CRES.
- SECOND DASH NUMBER SPECIFIES NOMINAL MICRON RATING.
- FIRST DASH NUMBER SPECIFIES TUBE SIZE.

REVISIONS		DATE	APPROVED
LTR	DESCRIPTION		

WHEN FILTERING LIQUIDS	WHEN FILTERING GASES	
	NOM RATING	ABS RATING
2	15	1
5	20	3.5
10	25	6
20	40	11
40	75	30
70	105	50
105	150	85

ADDITIONAL SIZES AND CONFIGURATIONS AVAILABLE.

Δ	A REF	B REF	C REF	D REF	FILTER AREA REF	COLLAPSE PRESSURE PSID MIN
-4	1.05	.250	.16	.14	.48	1000
-5	2.00	.312	.19	.15	1.10	875
-6	2.00	.375	.23	.19	1.35	750
-8	2.00	.500	.33	.29	2.00	500
-10	2.00	.625	.39	.35	2.40	200
-12	2.00	.750	.47	.43	2.75	150

UNLESS OTHERWISE SPECIFIED

DIMENSIONS IN INCHES REMOVE ALL BURRS

MACHINE RADI .005/.015 R. BREAK ALL SHARP EDGES .002/.010 R.

DO NOT SCALE THIS DWG. INTERPRET DWG PER IAW DOD-STD-1000 DIMS & TOLS. PER ANSI Y14.5

SURFACE ROUGHNESS PER ANSI B46.1

DECIMALS .XX .XXX

DFT. BY:
DESIGN BY:
APPVD BY:

CUSTOMER NAME
CUSTOMER P/N

Genesis Filtration Inc.
9757 7th STREET, UNIT 804
Rancho Cucamonga, CA 91730

TITLE
FILTER ASSEMBLY
FLARELESS TUBE FITTING

SIZE A
FSCM NO. 04AX3
DWG NO. 17500

SCALE WEIGHT SHEET OF