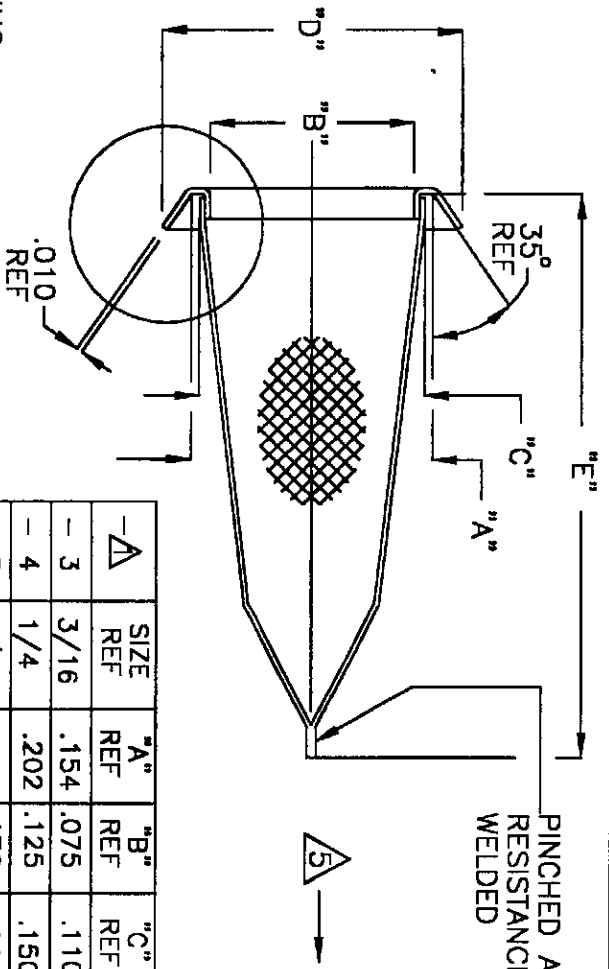
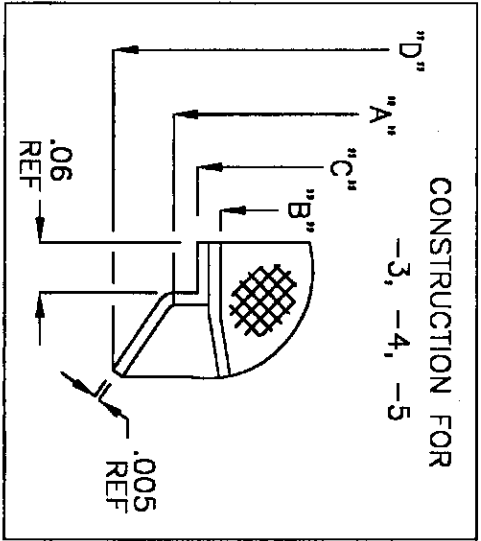


THIS DOCUMENT CONTAINS INFORMATION PROPRIETARY TO GENESIS FILTRATION CORPORATION. ANY REPRODUCTION, DISCLOSURE, OR USE OF THIS DOCUMENT IN WHOLE OR IN PART IS EXPRESSLY PROHIBITED EXCEPT AS GENESIS FILTRATION CORPORATION MAY OTHERWISE AGREE TO IN WRITING.



| | |
|-----|---------|
| -A | NOMINAL |
| | MICRON |
| | 2 |
| | 10 |
| | 17 |
| | 40 |
| 70 | |
| 105 | |
| 140 | |

- 5. PULL TEST CONE FROM FLANGE USING 6-7 LBS FOR WELD INTEGRITY 100%.
- 4. CONSTRUCTION: RESISTANCE WELDED.
- 3. FILTER MEDIA: SINTERED STAINLESS STEEL WOVEN WIRE MESH.
- 2. SECOND DASH NUMBER SPECIFIES NOMINAL MICRON RATING.
- 1. FIRST DASH NUMBER SPECIFIES TUBE SIZE

| -A | SIZE REF | "A" REF | "B" REF | "C" REF | "D" MAX | "E" REF | EFF. AREA SQ IN REF |
|-----|----------|---------|---------|---------|---------|---------|---------------------|
| -3 | 3/16 | .154 | .075 | .110 | .30 | .92 | .19 |
| -4 | 1/4 | .202 | .125 | .150 | .31 | .98 | .27 |
| -5 | 5/16 | .262 | .170 | .220 | .41 | 1.04 | .39 |
| -6 | 3/8 | .325 | .236 | .285 | .47 | 1.10 | .52 |
| -8 | 1/2 | .440 | .331 | .380 | .64 | 1.37 | .84 |
| -10 | 5/8 | .560 | .420 | .470 | .75 | 1.57 | 1.17 |
| -12 | 3/4 | .680 | .540 | .590 | .94 | 1.79 | 1.78 |
| -16 | 1 | .930 | .780 | .830 | 1.18 | 1.95 | 2.65 |
| -20 | 1 1/4 | 1.150 | .960 | 1.060 | 1.40 | 2.18 | 3.47 |

Genesis Filtration Inc.
 9757 7th STREET, UNIT 804
 Rancho Cucamonga, CA 91730

| | | | |
|--|------------------|--|----------|
| UNLESS OTHERWISE SPECIFIED | | DO NOT SCALE THIS DWG. INTERPRET DWG. PER IAW DOD-STD-1000 DIMS & TOLS. PER ANSI Y14.5 | |
| DIMENSIONS IN INCHES REMOVE ALL BURRS | | SURFACE ROUGHNESS PER ANSI B46.1 | |
| MACHINE RADI .005/.015 R. | | CUSTOMER NAME GENESIS STD | |
| BREAK ALL SHARP EDGES .002/.010 R. | | | |
| DECIMALS .XX .XXX | FRACTION 1/64 | ANGLES ± 1° | FINISH |
| MATERIAL 300 SER | | CUSTOMER P/N | |
| DFT BY: RC | | RC | |
| DESIGN BY: RC | | RC | |
| APPVD BY: RC | | RC | |
| DATE: 9/25/01 | | DATE: 9/25/01 | |
| TITLE: FILTER ASSEMBLY: 37 DEGREE FLANGE MOUNT | | | |
| SIZE A | FSCM NO. 04AX3 | DWG NO. 30455-A | REV A |
| SCALE | GENESIS 12/24/01 | WEIGHT | SHEET OF |

| REVISIONS | | | |
|-----------|--------------|---------|----------|
| LTR | DESCRIPTION | DATE | APPROVED |
| A | ADDED NOTE 5 | 8-28-01 | RC |